

Brackets and Tenons

Product Specifications

FINISH

- Exclusive Colorfast DeltaGuard® finish features an E-Coat epoxy primer with an ultra-durable powder topcoat, providing excellent resistance to corrosion, ultraviolet degradation and abrasion. Black, bronze, silver and white are available

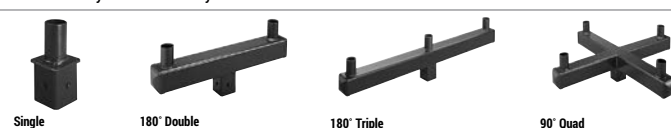

LIMITED WARRANTY†


- 7 years on tenon/7 years on Colorfast DeltaGuard® finish

† See www.cree.com/lighting/products/warranty for warranty terms









PB Series






Square Internal Mount Vertical Steel Tenons (for use with Adjustable Arm & Horizontal/Vertical Tenon Mounts)				
The square base of the PB Series steel brackets is designed to be inserted into square, non-tapered steel or aluminum poles ranging in size from 76mm to 152mm square with a maximum wall thickness of 5mm. Square PB tenons are supplied with end caps to enclose the wiring chamber. Tenon base secures to pole with four 8mm hex head stainless steel black oxide bolts. Vertical tenons measure 60mm O.D. x 95mm tall and are made of steel tubing. Luminaires mounted to these tenons can be adjusted both vertically and horizontally.				
PB	-			
Product	-	Mounting Configurations	Pole Size (O.D.)	Color Options
PB	-	1A Single 2A 180° Twin 3A 180° Triple 4A(90) 90° Quad <small>- Available for 4"-6" pole only</small> 4A(180) 180° Quad <small>- Available for 4"-6" pole only</small>	3 76mm 4 102mm 5 127mm 6 152mm	BK Black BZ Bronze SV Silver WH White
 				

Round External Mount Vertical Tenons (for use with Adjustable Arm & Horizontal/Vertical Tenon Mounts)				
The round base of the PB Series steel brackets is designed to mount over a steel or aluminum 60mm O.D. round pole or tenon. All are supplied with end caps to enclose the wiring chamber. Tenon base secures to pole with eight stainless steel allen head screws. Vertical tenons measure 60mm O.D. x 95mm tall and are made of steel tubing. Luminaires mounted to these tenons can be adjusted both vertically and horizontally.				
PB	-			
Product	-	Mounting Configurations	Pole Size (O.D.)	Color Options
PB	-	2R 180° Twin 3R 180° Triple 4R 180° Quad	2.375 60mm <small>- Consult factory for other pole sizes</small>	BK Black BZ Bronze SV Silver WH White
				

Brackets and Tenons





PT Series






Round External Mount Horizontal Tenons (for use with Adjustable Arm Mount and RUL Luminaires). Not for use with the Cree Edge™ High Output Area/Flood Luminaires				
The round base of the PT Series aluminum brackets is designed to mount over a steel or aluminum 60mm to 76mm O.D. round pole or tenon. Tenon base secures to pole with eight stainless steel allen head screws. Luminaires mounted to these tenons can only be adjusted vertically. The PT Series brackets can be mounted on a square pole, but require the use of the Single Vertical Tenon PB-1A.				
PT	-			
Product	-	Mounting Configurations	Color Options	
PT	-	1 Single 2(90) 90° Twin 2(180) 180° Twin 3(90) 90° Triple 3(120) 120° Triple 4(90) 90° Quad	BK Black BZ Bronze SV Silver WH White	 Single  90° Twin  180° Twin  90° Triple  120° Triple  90° Quad

Round External Mount Horizontal Tenons (for use with Horizontal Tenon Mount – LEDway® and XSP Luminaires). Not for use with the Cree Edge™ High Output Area/Flood Luminaires				
The round base of the PT Series aluminum brackets is designed to mount over a steel or aluminum 60mm to 76mm O.D. round pole or tenon. Tenon base secures to pole with eight stainless steel allen head screws. The PT Series brackets can be mounted on a square pole, but require the use of the Single Vertical Tenon PB-1A.				
PT	-			
Product	-	Mounting Configurations	Color Options	
PT	-	1H Single 2H(90) 90° Twin 2H(180) 180° Twin 3H(90) 90° Triple 4H(90) 90° Quad	BK Black BZ Bronze SV Silver WH White	 Single  90° Twin  180° Twin  90° Triple  90° Quad

Pole sold separately

PD Series


Square Internal Mount Horizontal Tenons (for use with Adjustable Arm Mount and RUL Luminaires). Not for use with the Cree Edge™ High Output Area/Flood luminaires				
The square base of the PD Series cast aluminum brackets is designed to be inserted into square, non-tapered steel or aluminum 102mm poles with a maximum wall thickness of 5mm. Square PD tenons are supplied with end caps to enclose the wiring chamber. Tenon base secures to pole with four 8mm hex head stainless steel black oxide bolts. Luminaires mounted to these tenons can only be adjusted vertically.				
PD	-			
Product	-	Mounting Configurations	Color Options	
PD	-	2A4(90) 90° Twin 2A4(180) 180° Twin 3A4(90) 90° Triple 4A4(90) 90° Quad	BK Black BZ Bronze SV Silver WH White	 90° Twin  180° Twin  90° Triple  90° Quad


Square Internal Mount Horizontal Tenons (for use with Horizontal Tenon Mount – LEDway® and XSP Luminaires). Not for use with the Cree Edge™ High Output Area/Flood Luminaires				
The square base of the PD Series cast aluminum brackets is designed to be inserted into square, non-tapered steel or aluminum 102mm poles with a maximum wall thickness of 5mm. Square PD tenons are supplied with end caps to enclose the wiring chamber. Tenon base secures to pole with four 58mm hex head stainless steel black oxide bolts. Luminaires mounted to these tenons can only be adjusted vertically.				
PD	-			
Product	-	Mounting Configurations	Color Options	
PD	-	1H4 Single 2H4(90) 90° Twin 2H4(180) 180° Twin 3H4(90) 90° Triple 4H4(90) 90° Quad	BK Black BZ Bronze SV Silver WH White	 Single  90° Twin  180° Twin  90° Triple  90° Quad


Pole sold separately



Brackets and Tenons

WM Series

Surface Bracket				
The WM-2 steel bracket is designed for mounting to ground, rooftop, wall or to the side of a wood pole. The bracket provides a 60mm O.D. tenon to mount a luminaire. The 6mm thick steel backplate provides wiring access. If surface wiring is required, consult factory. The use of 9mm diameter bolts to mount bracket to wall is recommended. Mounting holes are spaced 83mm apart. LEDway® and XSP Series luminaires use only with extended mount.				
WM	-			
Product	-	Mounting	Color Options	 <p>2, 2L (shown)</p>
WM	-	2 Horizontal 2L Extended Horizontal	BK Black BZ Bronze SV Silver WH White	

L-Shaped Surface Bracket (for use with Adjustable Arm & Horizontal/Vertical Tenon Mounts)				
The WM-4 steel bracket is designed for mounting to a wall or to the side of a wood pole. The bracket provides a 60mm O.D. elbow tenon to mount a luminaire. The 6mm thick steel backplate provides wiring access. If surface wiring is required, consult factory. For mounting the bracket to the wall, use only 9mm diameter bolts. Mounting holes are spaced 83mm apart.				
WM	-			
Product	-	Mounting	Color Options	 <p>4, 4L (shown)</p>
WM	-	4 L-shape 4L Extended L-shape	BK Black BZ Bronze SV Silver WH White	

Direct Arm Surface Bracket (for use with Cree Edge™ Direct Arm and Direct Arm Long and OSQ™ Direct Arm Mounts)				
The WM-DM steel bracket is designed for mounting luminaires with direct mount arms to a wall or to the side of a wood pole. The 6mm thick steel back plate provides wiring access. The use of 9mm diameter bolts to mount bracket to wall is recommended. Mounting holes are spaced 102mm apart.				
WM	-	DM		
Product	-	Mounting	Color Options	 <p>DM</p>
WM	-	DM Direct Mount	BK Black BZ Bronze SV Silver WH White	

Beauty Plates (for use with Cree Edge™ and XSPW™ Security Luminaires)				
The WM-PLT is an aluminum plate designed for covering existing surfaces for LED security luminaire upgrades. The 2mm thick plate provides wiring access. The use of 9mm diameter bolts to mount bracket to wall is recommended. Mounting holes are spaced 102mm apart.				
WM	-			
Product	-	Mounting	Color Options	 <p>PLT12</p>  <p>PLT14</p>
WM	-	PLT12 300mm Plate PLT14 355mm Plate	BK Black BZ Bronze PB Platinum Bronze SV Silver WH White	

Brackets and Tenons

Direct Mount Bracket Series

Direct Mount Bracket (for use with Cree Edge™ High Output Area/Flood Luminaire HV Mount)

The EHO-UNV bracket is designed for mounting to a minimum 102mm round or square; aluminum or steel pole or can be surface-mounted directly to a vertical or horizontal surface. Bracket includes die cast aluminum fitter and steel mounting plate. Square mounting plate bolts are supplied for pole mounting. For surface mounting, use only Grade 5 or higher bolts.

EHO	-	UNV	
Product	-	Mounting	Color Options
EHO	-	UNV	BK Black BZ Bronze SV Silver WH White



XA-TMDA8

Direct Arm Pole Adaptor Bracket (for use with Horizontal Tenon Mount – LEDway® and XSP Luminaires)

The die cast aluminum direct arm pole adaptor bracket mounts to square or round steel or aluminum poles ranging in size from 76mm to 152mm. Mounting plate secures to pole with two 8mm hex head stainless steel black oxide bolts. Two 8mm hex head stainless steel black oxide bolts secure the adaptor bracket to the mounting plate. The horizontal tenon measures 60mm O.D. x 203mm long and is made of steel tubing.

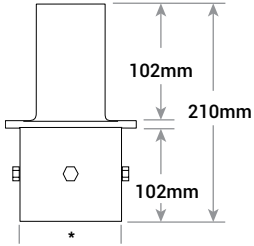
XA	-	TMDA8	
Product	-	Mount	Color Options
XA	-	TMDA8	BK Black BZ Bronze SV Silver WH White



Brackets and Tenons

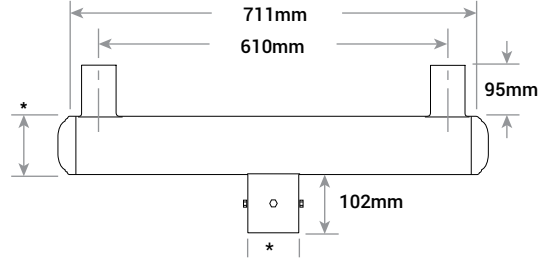
PB Series

PB-1A*



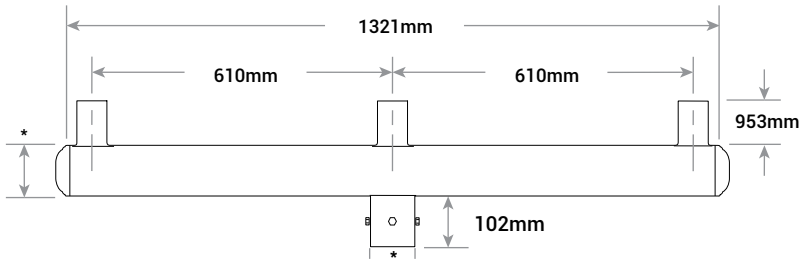
* 76mm, 89mm, 102mm, 114mm or 127mm depending on pole size

PB-2A*



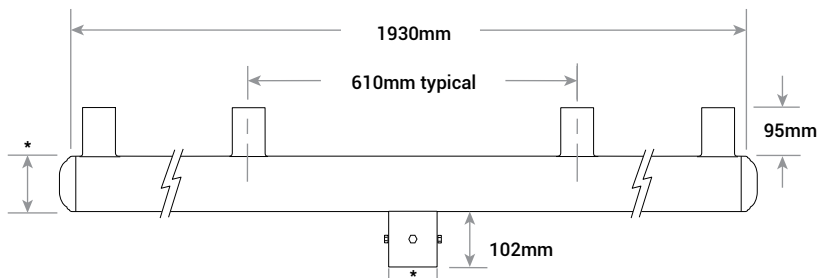
* 76mm, 102mm, 127mm or 152mm depending on pole size

PB-3A*



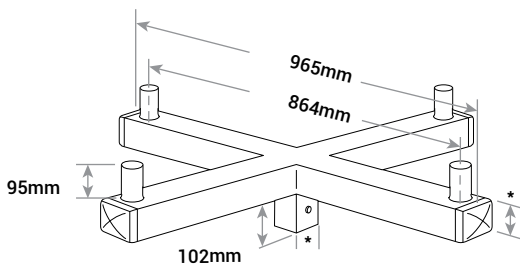
* 76mm, 102mm, 127mm or 152mm depending on pole size

PB-4A*(180)



* 102mm, 127mm or 152mm depending on pole size

PB-4A*(90)

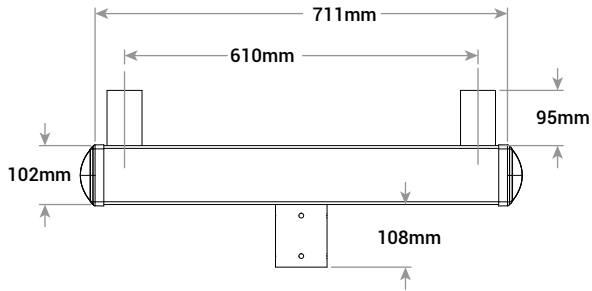


* 102mm, 127mm or 152mm depending on pole size

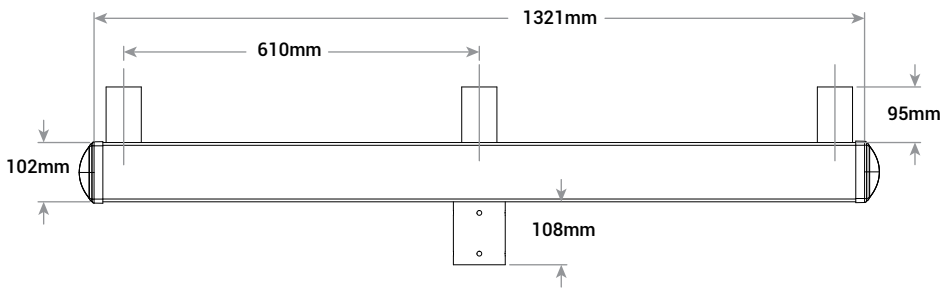
Brackets and Tenons

PB Series

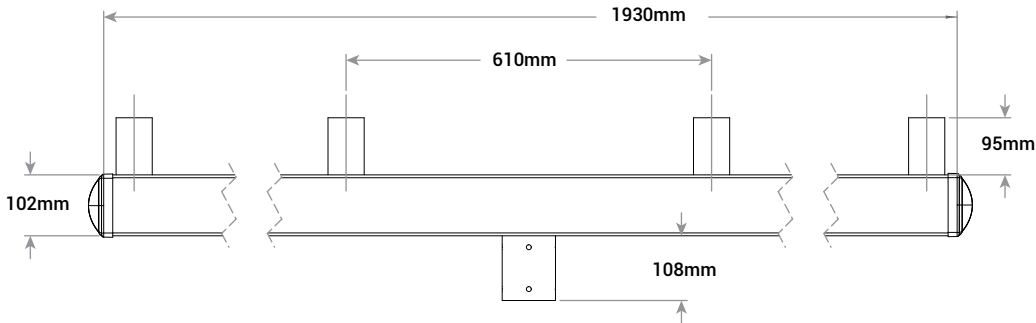
PB-2R2.375



PB-3R2.375

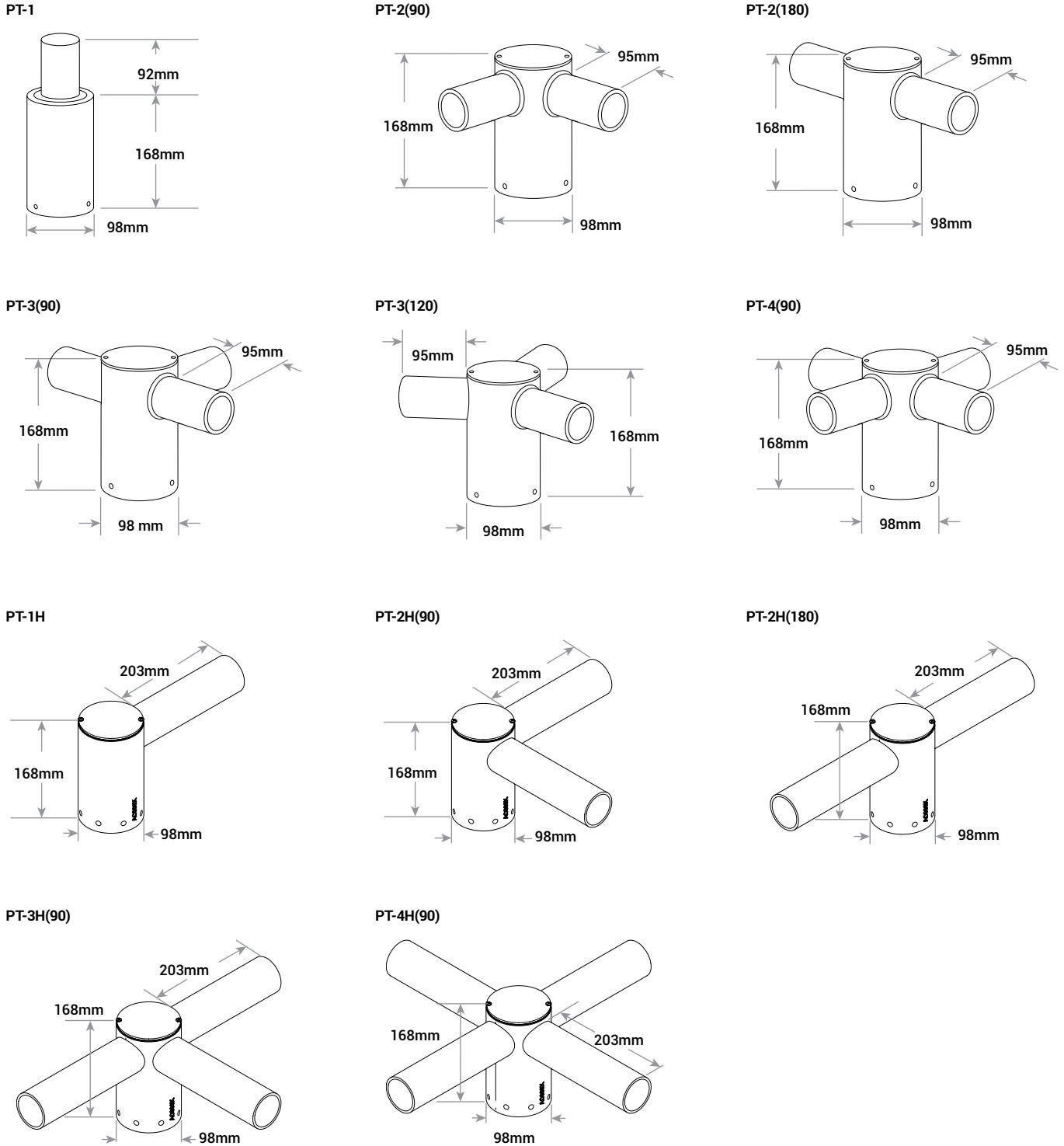


PB-4R2.375



Brackets and Tenons

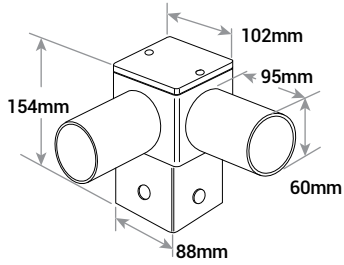
PT Series



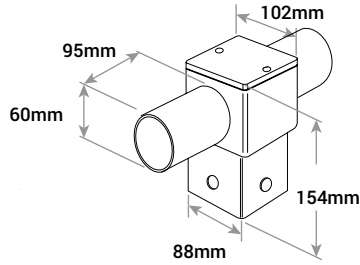
Brackets and Tenons

PD Series

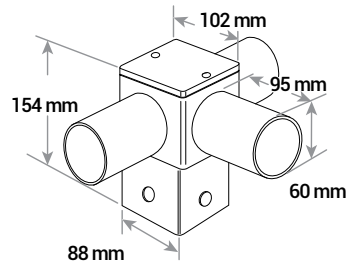
PD-2A4(90)



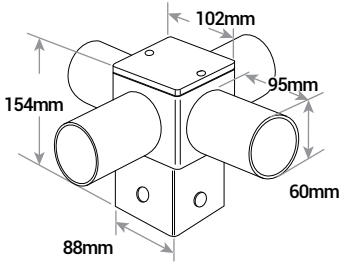
PD-2A4(180)



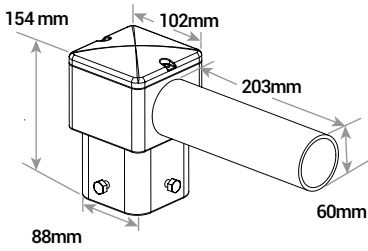
PD-3A4(90)



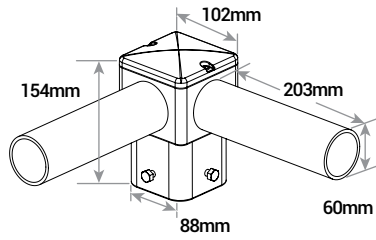
PD-4A4(90)



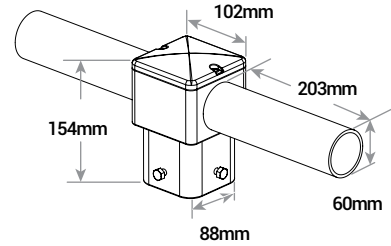
PD-1H4



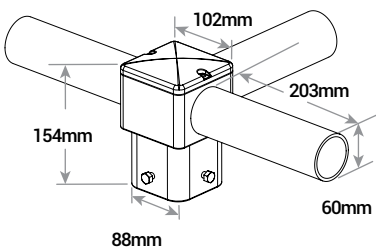
PD-2H4(90)



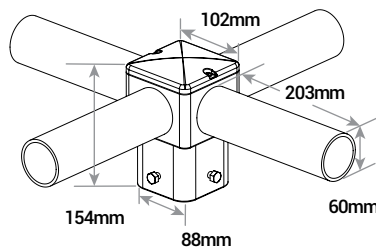
PD-2H4(180)



PD-3H4(90)



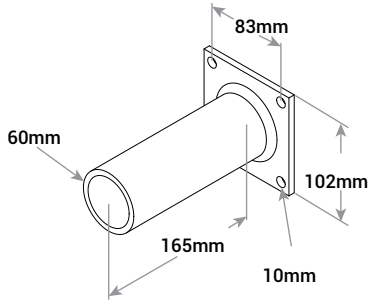
PD-4H4(90)



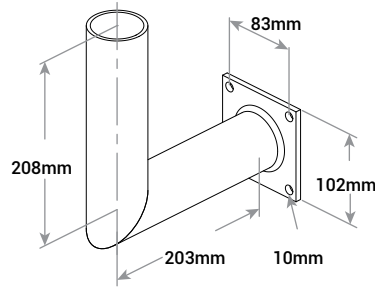
Brackets and Tenons

WM Series

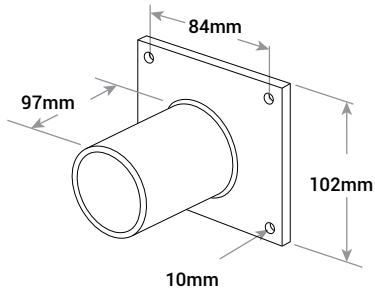
WM-2L



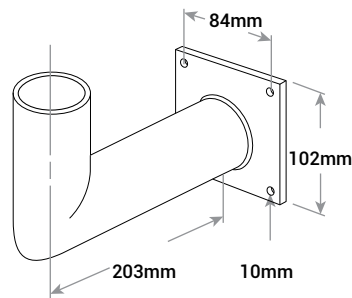
WM-4L



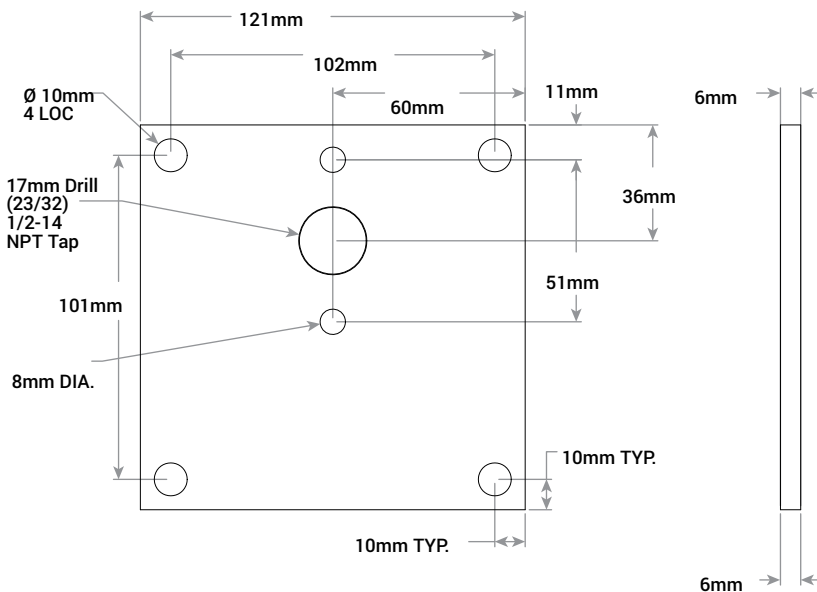
WM-2



WM-4

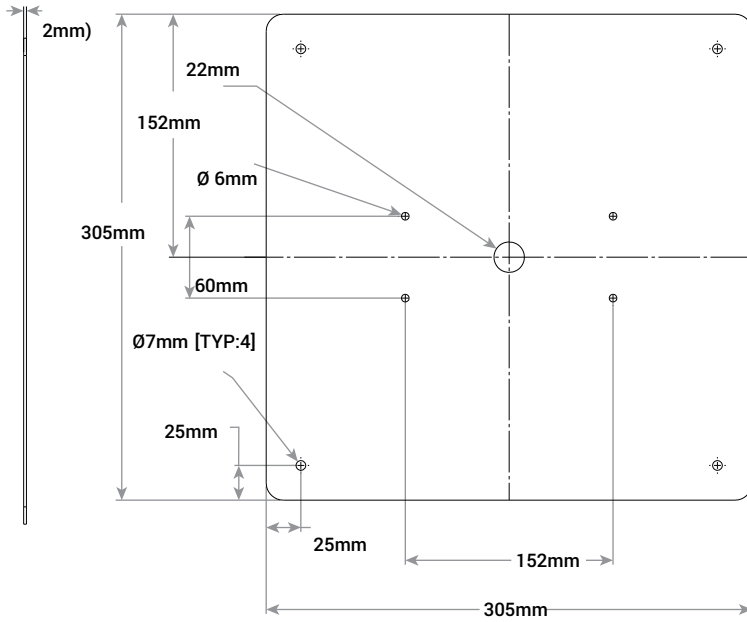


WM-DM

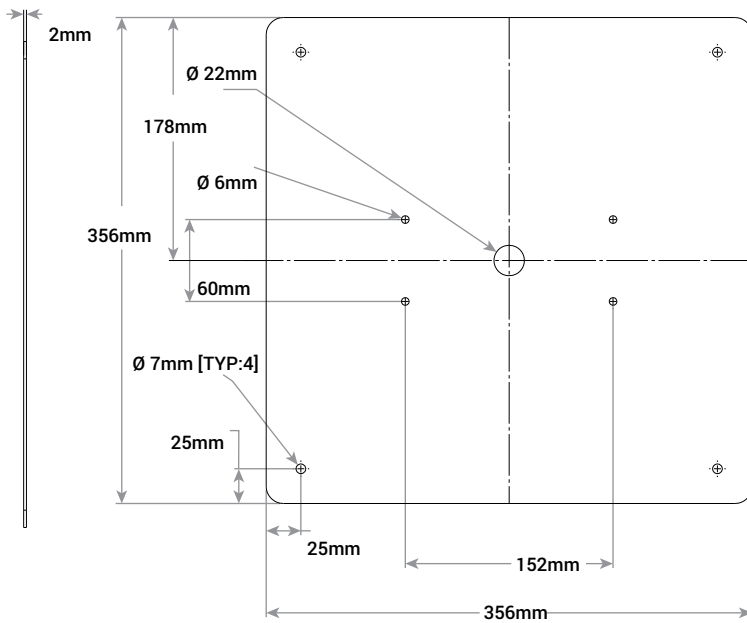


Brackets and Tenons

WM-PLT12



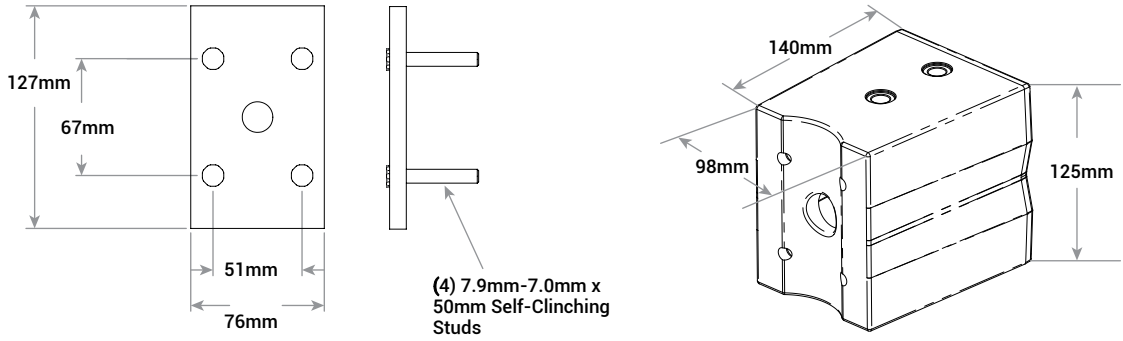
WM-PLT14



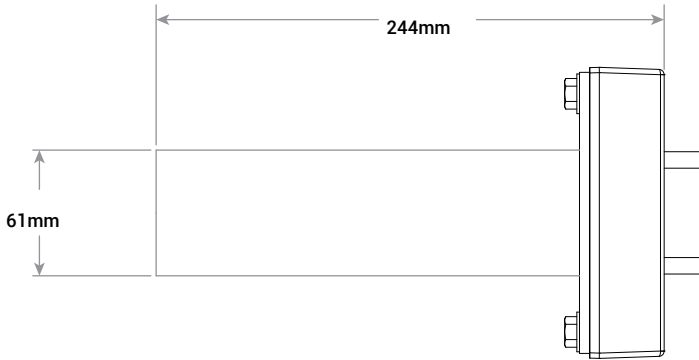
Brackets and Tenons

Direct Mount Bracket

EHO-UNV



XA-TMDA8



Brackets and Tenons

Tenon EPA

Part Number	EPA
PB-1A*	None
PB-2A*	0.82
PB-3A*	1.52
PB-4A*(180)	2.22
PB-4A*(90)	1.11
PB-2R2.375	0.92
PB-3R2.375	1.62
PB-4R2.375	2.32
PD Series Tenons	0.09
PT Series Tenons	0.10
PW-1A3**	0.47
PW-2A3**	0.94
RUL-ARM24	0.42
WM-2	0.08
WM-2L	0.13
WM-4	0.25
WM-4L	0.32
WM-DM	None
WM-PLT12	None
WM-PLT14	None
XA-TMDA8	0.19

* Specify pole size: 3 (3'), 4 (4'), 5 (5') or 6 (6') for single, double or triple luminaire orientation or 4 (4'), 5 (5') or 6 (6') for quad luminaire orientation
 ** These EPA values must be multiplied by the following ratio: Fixture Mounting Height/Total Pole Height. Specify pole size: 3 (3'), 4 (4'), 5 (5') or 6 (6')